



GO BEYOND

engineWISE™

PW4000-112" HPT STAGE-2 VANE NEW REPAIR- REPAIR 42 RING SEGMENT MATEFACE RESTORATION REPAIR

MODEL: PW4074, PW4077, PW4074D, PW4077D, PW4084D, PW4090, PW4090-3

ATA#: 72-52-34

P&W ENGINE MANUAL REF: 72-52-34-300-042: Ring Segment Mateface Restoration Repair

SB REF: N/A

INTRO

The new PW4000-112" HPT Stage-2 Vane Ring Segment Mateface Restoration repair developed by Pratt & Whitney reduces total cost of ownership and extends part life by restoring the ring segment mateface via welding and EDM. Previous to this repair, 25% of the ring segment would need replacement resulting in multiple repair cycles during assembly.

AVAILABILITY

This repair is available from Nov 2019 and will be applicable for the following typical part numbers:

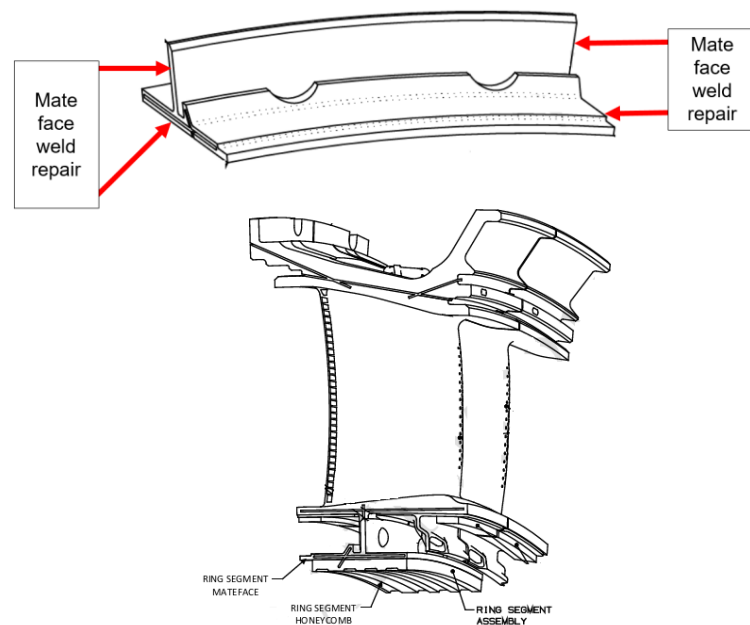
51L652	55L072	54L192
52L082	55L172	55L272
52L192	53L362	54L992
52L272	53L372	55L972
52L192-001	53L362-001	
52L272-001	53L372-001	

BENEFITS

- Optimizes part life
- Reduces total cost of ownership
- Part scrap reduction

A UNITED TECHNOLOGIES COMPANY

PART REFERENCE



Location of Ring Segment Mateface Weld Repair

Turbine Overhaul Services Pte Ltd
No. 5 Tuas Drive 2 Singapore 638639

Cheah Kim Wei - Repair Sales Manager

Tel: +65-6690-2745 / Mobile: +65-9699-9298
Email: kim.wei.cheah@pw.utc.com